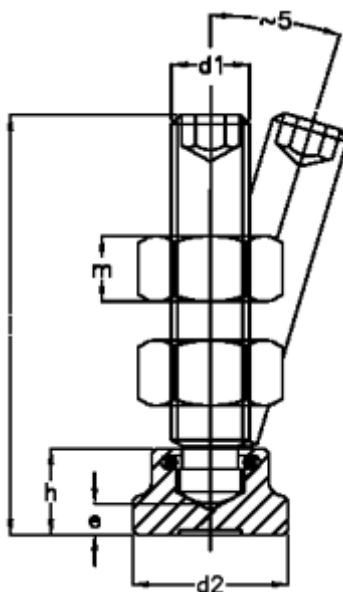


Article number: 20940646

Description: E+G Clamping bolt
GN 802-M8-38

Measures



d1 = M8

d2 = 16

e = 3

h = 9

l1 = 38

m = 6.8